

From: [Green, Frank](#)
To: [Daly, Keith](#)
cc: [Degenhart, Mark](#); [Nelson, Todd](#); [Peppers, Nicki](#)
Subject: FW: C8078 CRC Test Piles - (RAMS 3-7) Bubble Curtain
Date: Tuesday, March 01, 2011 8:48:48 AM
Attachments: [Scan001.pdf](#)

Keith,

All RAMs are approved.

Mark/Todd,

Can you help me with the question that James has? Let me know.

Thank you.

From: Schufreider, James [mailto:JSchufre@wsdot.wa.gov]
Sent: Monday, February 28, 2011 9:44 AM
To: Green, Frank
Subject: RE: C8078 CRC Test Piles - (RAMS 3-7) Bubble Curtain

These look fine.

Curiosity question – did anyone notice how warm the manifold or valves became when the maximum amount of air was flowing thru them? Nobody noticed? Warm to the touch? Steam was formed when the rain landed on the metal parts?

From: Green, Frank [mailto:greenf@columbiarivercrossing.com]
Sent: Thursday, February 24, 2011 8:52 AM
To: Schufreider, James
Cc: Daly, Keith
Subject: FW: C8078 CRC Test Piles - (RAMS 3-7) Bubble Curtain
Importance: High

James,

You previously assisted me with approval of the valves and hoses/fittings but RAM-0003 is for the gauges and RAM-0006 is for the flowmeters. Can you provide me with your thoughts regarding those materials (do they meet the specification)?

Thank you for all your assistance throughout this process.

From: Beaver, Jesse [mailto:BeaverJ@wsdot.wa.gov]
Sent: Wednesday, February 23, 2011 4:53 PM
To: Green, Frank; Beaver, Jesse
Subject: C8078 CRC Test Piles - (RAMS 3-7) Bubble Curtain
Importance: High

Frank,

Please get feedback from your bubble curtain designer on these submissions.

Jesse L. Beaver, PE

State Construction Office

360.705.7825

360.791.2855 (cell)

From: Ablson, Maha
Sent: Friday, February 11, 2011 7:22 AM
To: Niemi, Mike
Cc: Molohon, Rob
Subject: 008078 RAMS#3-7 Bubble Curtain
Importance: High

Good morning Mike,
Submitted for your evaluation.
Thank you,

Maha Ablson

RAM Engineer

WSDOT, Materials Lab

Office: 360.709.5403

Fax: 360.709.5588

mahaab@wsdot.wa.gov

From: Peppers, Nicki [mailto:peppersn@columbiarivercrossing.com]
Sent: Thursday, February 03, 2011 1:37 PM
To: Ablson, Maha
Cc: Daly, Keith
Subject: RAMS 3-7

Please find attached RAM-0003, RAM-0004, RAM-0005, RAM-0006, RAM-0007

High Priority.

Thanks,
Nicki
360-816-2167

*** eSafel scanned this email for malicious content ***
*** IMPORTANT: Do not open attachments from unrecognized senders ***

*** eSafe scanned this email for malicious content ***
*** IMPORTANT: Do not open attachments from unrecognized senders ***

*** eSafe2 scanned this email for malicious content ***
*** IMPORTANT: Do not open attachments from unrecognized senders ***

*** eSafe scanned this email for malicious content ***
*** IMPORTANT: Do not open attachments from unrecognized senders ***



Washington State
Department of Transportation

RAM - 0003

Request for Approval of Material

Contract 8078	FA Number _____	SR I-5	Date 2/3/11
Section I-5 Columbia River Bridge (WA 0.3 to OR MP 308)		County WA AND OR states	
Contractor AMERICAN CONSTRUCTION COMPANY, INC.		Subcontractor _____	

This form shall be completed prior to submittal. If this form is not complete at time of submittal it may be returned for information that was omitted.
For assistance in completing, see Instructions and Example

For WSDOT Use Only
RAM # **3**

Bid Item No.	Material or Product/Type	Name and Location of Fabricator, Manufacturer or Pit Number	Specification Reference	PE/QPL Code	Hdqtr./QPL Code
2&3	Furnish manifold	Ashcroft, Inc.	SPECIAL PROVISIONS		
	for both CONFINED	250 East Main Street	page 98	7	
	AND UNCONFINED	Stratford, CT 06614			
	BUBBLE CURTAINS				
2.12	PRESSURE GAUGES	www.ashcroft.com			
3.12					

Project Engineer Lucki Peppers for Frank Green	Date 2/3/11	State Materials Engineer	Date
--	-----------------------	--------------------------	------

Acceptance Action Codes for use by Project Engineer and State Materials Laboratory

- Acceptance Criteria: Acceptance based upon 'Satisfactory' Test Report for samples of materials to be incorporated into project.
- Acceptance Criteria: Mfg. Cert. of Compliance for 'Acceptance' prior to use of material.
- Acceptance Criteria: Catalog Cuts for 'Acceptance' prior to use of material. Catalog Cut Approved Yes No
- Acceptance Criteria: Submit Shop Drawings for 'Approval' prior to fabrication of material.
- Acceptance Criteria: Only 'Approved for Shipment', 'WSDOT Inspected' or 'Fabrication Approved Decal' material shall be used.
- Acceptance Criteria: Submit Certificate of Materials Origin to Project Engineer Office.
- Acceptance Criteria: Request Transmitted to State Materials Laboratory for Approval Action.
- Source Approved:
- Approval Withheld: Submit samples for preliminary evaluation.
- Approval Withheld:
- Miscellaneous Acceptance Criteria.

Remarks:

APPROVED

James Schepfer
2-28-2011

cc: American Construction, Peppers

Project Engineer Distribution

- Contractor Region Materials
 Region Operations Engineer State Materials Lab
 Fabrication Inspection M/S 47365

State Materials Engineer Distribution

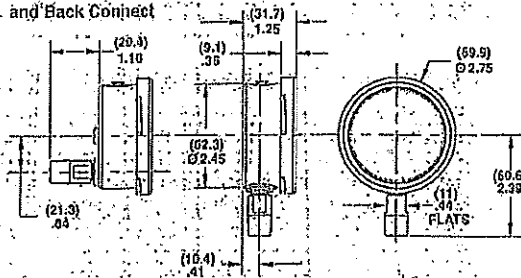
- General File Signing Inspection
 Other _____

Type 1009SW Stainless Case Gauge with Stainless Steel System

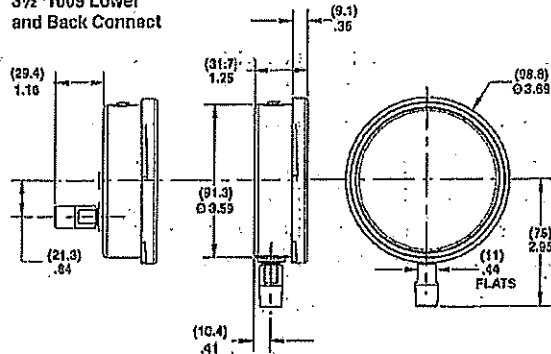


DIMENSIONS

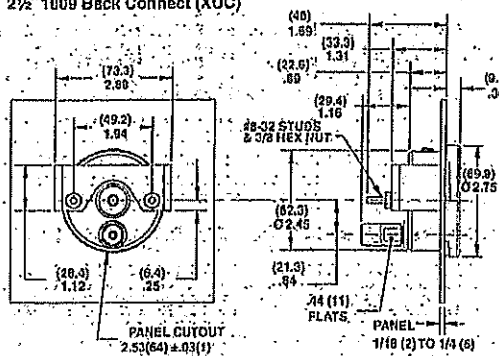
2 1/2" 1009 Lower and Back Connect



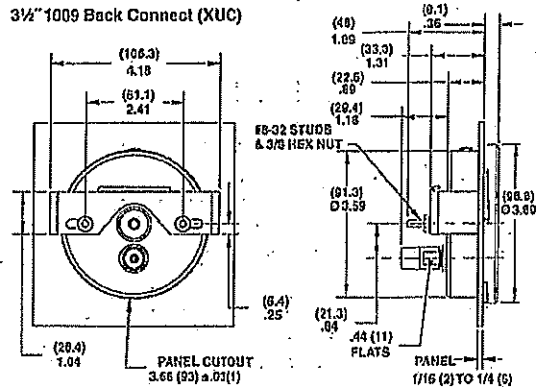
3 1/2" 1009 Lower and Back Connect



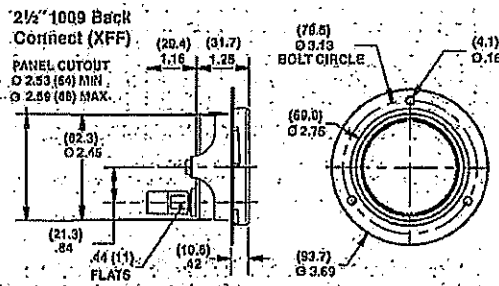
2 1/2" 1009 Back Connect (XUC)



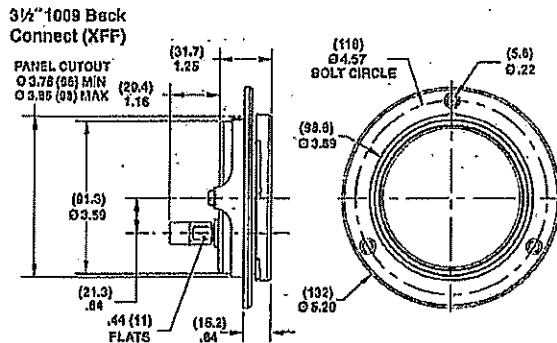
3 1/2" 1009 Back Connect (XUC)



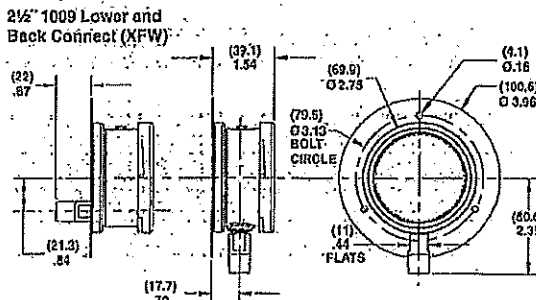
2 1/2" 1009 Back Connect (XFF)



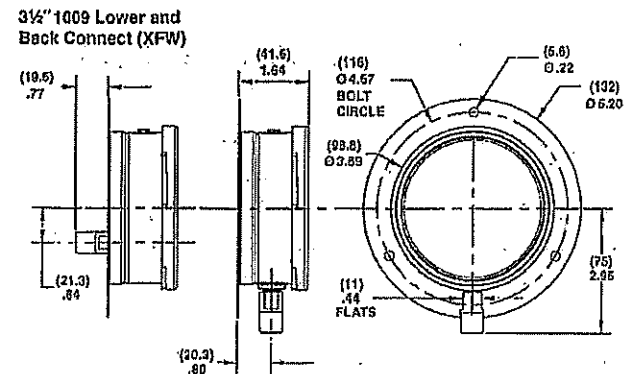
3 1/2" 1009 Back Connect (XFF)



2 1/2" 1009 Lower and Back Connect (XFW)



3 1/2" 1009 Lower and Back Connect (XFW)





Washington State
Department of Transportation

RAM-0004

Request for Approval of Material

Contract 8078	FA Number _____	SR I-5	Date 2/3/11
Section I-5 Columbia River Bridge (WA 0.3 to OR MP 308)		County WA AND OR states	
Contractor AMERICAN CONSTRUCTION COMPANY, INC.		Subcontractor _____	

This form shall be completed prior to submittal. If this form is not complete at time of submittal it may be returned for information that was omitted.
For assistance in completing, see Instructions and Example

For WSDOT Use Only
RAM # **4**

Bid Item No.	Material or Product/Type	Name and Location of Fabricator, Manufacturer or Pfl Number	Specification Reference	PE/QPL Code	Hdqr./QPL Code
2&3	Furnish manifold for both CONFINED AND UNCONFINED BUBBLE CURTAINS	TA-CHEN Industrial 5855 Ispo Avenue Long Beach, CA 90805	SPECIAL PROVISIONS page 98	A 8	
	GATE VALVES				
2.08					
3.08					

Project Engineer Licki Peppers for Frank Green	Date 2/3/11	State Materials Engineer	Date
--	-----------------------	--------------------------	------

Acceptance Action Codes for use by Project Engineer and State Materials Laboratory

- Acceptance Criteria: Acceptance based upon 'Satisfactory' Test Report for samples of materials to be incorporated into project.
- Acceptance Criteria: Mfg. Cert. of Compliance for 'Acceptance' prior to use of material.
- Acceptance Criteria: Catalog Cuts for 'Acceptance' prior to use of material. Catalog Cut Approved Yes No
- Acceptance Criteria: Submit Shop Drawings for 'Approval' prior to fabrication of material.
- Acceptance Criteria: Only 'Approved for Shipment', 'WSDOT Inspected' or 'Fabrication Approved Decal' material shall be used.
- Acceptance Criteria: Submit Certificate of Materials Origin to Project Engineer Office.
- Acceptance Criteria: Request Transmitted to State Materials Laboratory for Approval Action.
- Source Approved:

- Approval Withheld: Submit samples for preliminary evaluation.
- Approval Withheld:

11. Miscellaneous Acceptance Criteria.

Remarks: **Approved per CM Section 9-1.1D**
APPROVED *James Schufreide*
cc: American Construction, Peppers **2-28-2011**

Project Engineer Distribution <input type="checkbox"/> Contractor <input type="checkbox"/> Region Operations Engineer <input type="checkbox"/> Fabrication Inspection	<input type="checkbox"/> Region Materials <input type="checkbox"/> State Materials Lab M/S 47365	State Materials Engineer Distribution <input type="checkbox"/> General File <input type="checkbox"/> Other _____ <input type="checkbox"/> Signing Inspection
---	--	--



Washington State
Department of Transportation

RAM - 0005

Request for Approval of Material

Contract 8078	FA Number _____	SR I-5	Date 2/3/11
Section I-5 Columbia River Bridge (WA 0.3 to OR MP 308)		County WA AND OR states	
Contractor AMERICAN CONSTRUCTION COMPANY, INC.		Subcontractor _____	

This form shall be completed prior to submittal. If this form is not complete at time of submittal it may be returned for information that was omitted.
For assistance in completing, see Instructions and Example

For WSDOT Use Only	
RAM #	5
PE/QPL Code	7
Hdqtr./QPL Code	

Bid Item No.	Material or Product/Type	Name and Location of Fabricator, Manufacturer or PII Number	Specification Reference
2&3	Furnish manifold	TA-CHEN Industrial	SPECIAL PROVISIONS
	for both CONFINED	5855 Ispo Avenue	page 98
	AND UNCONFINED	Long Beach, CA 90805	
	BUBBLE CURTAINS		
	BALL VALVES		
2.09			
3.09			

Project Engineer Sticki Peppers for Frank Green	Date 2/3/11	State Materials Engineer	Date
---	-----------------------	--------------------------	------

Acceptance Action Codes for use by Project Engineer and State Materials Laboratory

- Acceptance Criteria: Acceptance based upon 'Satisfactory' Test Report for samples of materials to be incorporated into project.
- Acceptance Criteria: Mfg. Cert. of Compliance for 'Acceptance' prior to use of material.
- Acceptance Criteria: Catalog Cuts for 'Acceptance' prior to use of material. Catalog Cut Approved Yes No
- Acceptance Criteria: Submit Shop Drawings for 'Approval' prior to fabrication of material.
- Acceptance Criteria: Only 'Approved for Shipment', 'WSDOT Inspected' or 'Fabrication Approved Decal' material shall be used.
- Acceptance Criteria: Submit Certificate of Materials Origin to Project Engineer Office.
- Acceptance Criteria: Request Transmitted to State Materials Laboratory for Approval Action.
- Source Approved:

- Approval Withheld: Submit samples for preliminary evaluation.
- Approval Withheld:
- Miscellaneous Acceptance Criteria.

Remarks:

APPROVED James Schepfer
2-28-2011

cc: American Construction, Peppers

Project Engineer Distribution

- Contractor
- Region Operations Engineer
- Fabrication Inspection
- Region Materials
- State Materials Lab
- M/S 47385

State Materials Engineer Distribution

- General File
- Other
- Signing Inspection