

From: [Olk, John](#)
To: [Daly, Keith](#); [Green, Frank](#);
cc: [Peppers, Nicki](#);
Subject: RE: Contract 8078 - Bubble Curtain Shop Drawing submittal
Date: Monday, January 31, 2011 11:15:27 AM
Attachments: [8078 - Rainer Confined Bubble Curtain Shop Plan.pdf](#)

This is Approved as Noted.

John Olk P.E.
WSDOT Bridge Construction Support Engineer
360-705-7395

Check Submittal Status Online: <http://www.wsdot.wa.gov/eesc/bridge/conlog/>

From: Daly, Keith [mailto:dalyk@columbiarivercrossing.com]
Sent: Friday, January 28, 2011 2:41 PM
To: Olk, John; Szewcik, Mark
Cc: Green, Frank; Peppers, Nicki
Subject: FW: Contract 8078 - Bubble Curtain Shop Drawing submittal

Please find attached Confined Bubble Ring Shop Drawings.

Keith Daly
Assistant Business Manager

[Columbia River Crossing Project | mailto:dalyk@columbiarivercrossing.org](mailto:dalyk@columbiarivercrossing.org)
700 Washington St. Suite 300, Vancouver, WA 98660
office: 360.816.8870 | Office: 503.256.2726 Ext. 8870
Fax: 360.737.0294

From: Vernon Uy [mailto:vernonu@americanconstco.com]
Sent: Friday, January 28, 2011 2:05 PM
To: Green, Frank
Cc: Daly, Keith; Peppers, Nicki
Subject: Contract 8078 - Bubble Curtain Shop Drawing submittal

Hi Frank.

Attached you'll find our shopdrawing submittal for the Confined Bubble Rings. Hard copies are in the mail.

Thanks.

Vernon Uy
American Construction Company, Inc.
(425) 870-3217

*** eSafe scanned this email for malicious content ***

*** IMPORTANT: Do not open attachments from unrecognized senders ***

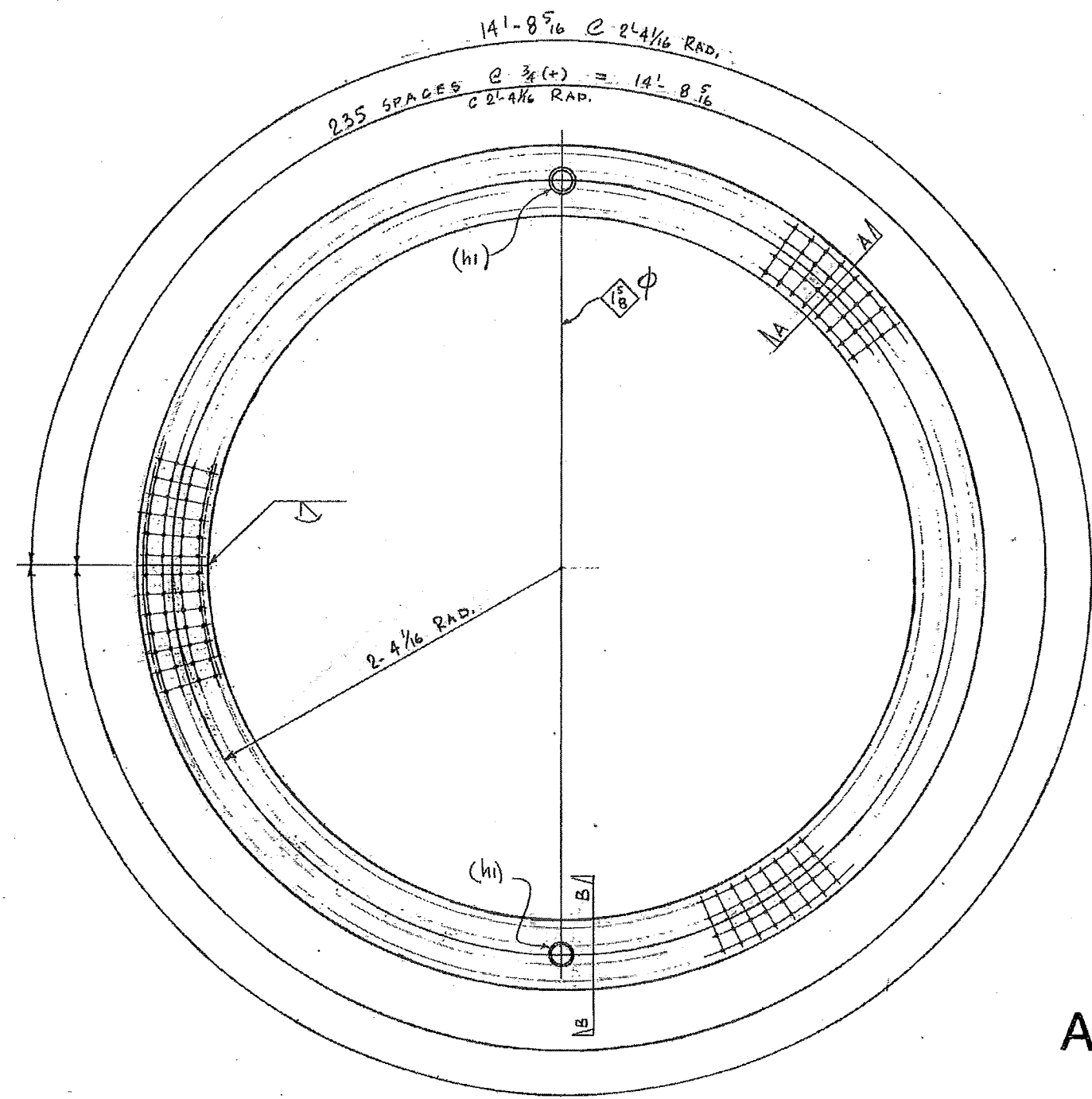
*** eSafel scanned this email for malicious content ***

*** IMPORTANT: Do not open attachments from unrecognized senders ***

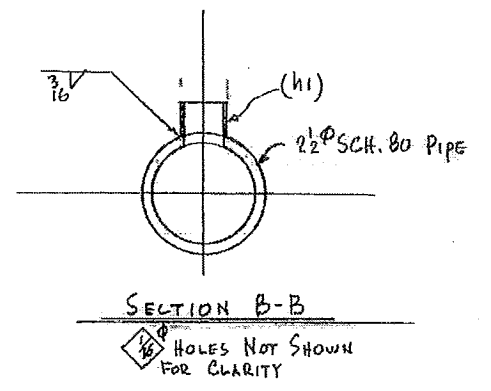
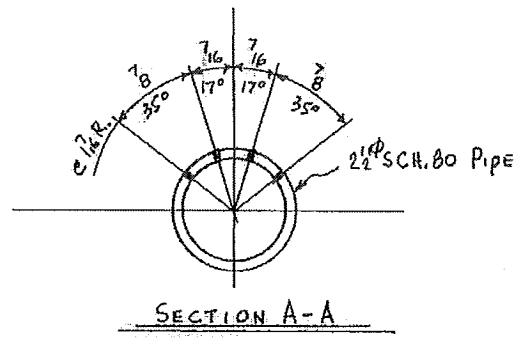
*** eSafe scanned this email for malicious content ***

*** IMPORTANT: Do not open attachments from unrecognized senders ***

8078



MAKE 2 ~ 2 1/2" SCH. 80 PIPE X 14'-8 5/16" ~ Mk 10A
 REF.: NDB



BILL OF MATERIAL										
NO. TO SHIP	SHIP MARK	ASBY MARK	NO. PCS.	SECTION	LENGTH		REMARKS	UNIT WT.	WEIGHT	P.R. NO.
					FT.	IN.				
2	10A		4	2 1/2" SCH. 80 PIPE	14	8 5/16"				
		hi		14" BULK CABLELINE						

MATERIALS AL 6061-T6
 MILL CERTS. REQ.

APPROVED AS NOTED
 WASHINGTON STATE
 DEPARTMENT OF TRANSPORTATION
 BRIDGE AND STRUCTURES OFFICE
 BY: CONSTRUCTION SUPPORT ENGINEER
 DATE JAN 31 2011

GEOMETRY NOT REVIEWED

APPROVED SRS
 1-31-2011

NO.		DESCRIPTION		DATE	BY
REVISION					
CERT WELDERS	W. A. B. D.		POINTS	APPL.	SHOP
	DATE	REV			FIELD
OPEN HOLES	UN.	DIP 1 EDGE DISTANCE			
		UN.			
PAINT	NO PAINT				
RAINIER WELDING					
19020 NE 64TH STREET - REDMOND, WA 98053					
(425) 868-1300 FAX (425) 868-8872					
STEEL AND ALUMINUM FABRICATING					
ITEM	BUBBLE RINGS				
JOB	COLUMBIA RIVER BRIDGE				
	TEMPORARY PILE TEST				
LOCATION	1-5, WA.				
OWNER	AMERICAN CONST.				
DRAWN BY	CHKD BY	DATE	SCALE	DRWG NO	REV
PF	J.K.R.	01-28-11	2000	10	